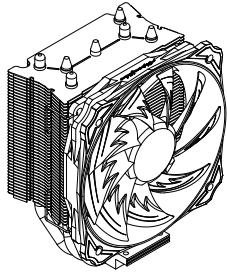


### INSTALLATION GUIDE

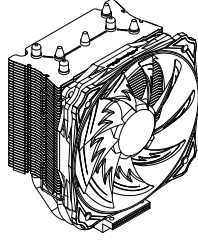

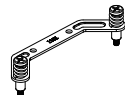
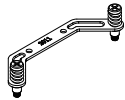

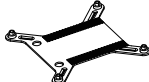

Applicable for:  
SE-214X Series  
SE-213X Series



ID COOLING LIMITED  
www.idcooling.com

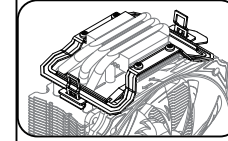
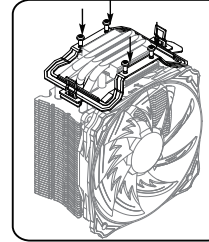
Note: If you have any questions regarding how to install this product, please contact us for support: support@idcooling.com

### Components List

-  **1** Cooler x 1
-  **2** AMD Clip x 1
-  **3** Intel LGA115X Clip x 2
-  **4** Intel LGA2011 Clip x 2
-  **5** Screw x 4
-  **6** Intel LGA115X Backplate x 1
-  **7** Thermal Grease x 1

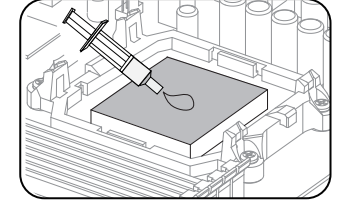
### AMD FM2+/FM2/FM1/AM3+/AM3/AM2+/AM2

#### STEP 1



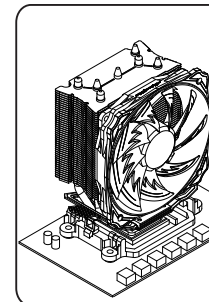
Attach the AMD metal clips onto heatsink base using the screws.

#### STEP 2

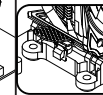


Evenly apply a thin layer of thermal grease onto the processor.

#### STEP 3

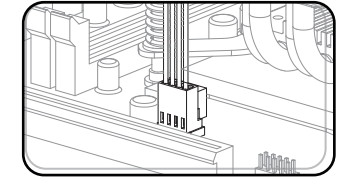


As illustrated, put the heatsink onto the processor and hook the vertical clip onto the retention frame tab.



Press down the other side clip and hook it onto the tab, too. Please ensure perfect contact between the heatsink base and the CPU surface during installation.

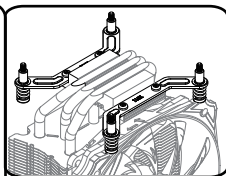
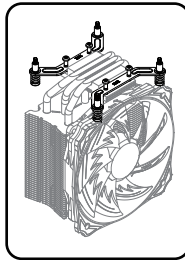
#### STEP 4



Finish the installation by connecting the fan cable to the motherboard.

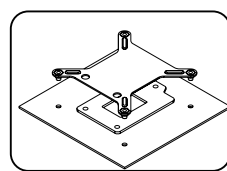
### Intel LGA1150/1155/1156

#### STEP 1



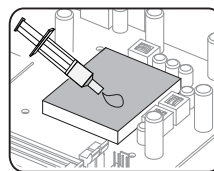
Attach the LGA115X clips to the heatsink base using the screws.

#### STEP 2



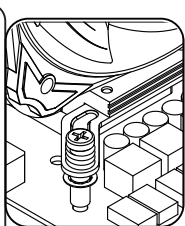
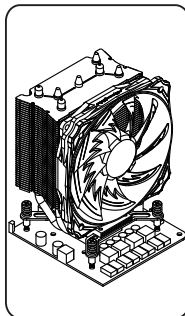
Put the backplate onto the back of motherboard; ensure the screw holes are into the motherboard holes. (Peel off the tape and stick the backplate to the motherboard.)

#### STEP 3



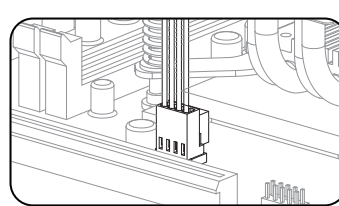
Evenly apply a thin layer of thermal grease onto the processor.

#### STEP 4



Put the heatsink onto the processor, and align the screws with the mounting holes of the backplate, then secure the heatsink by fastening the screws into the backplate.

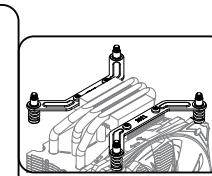
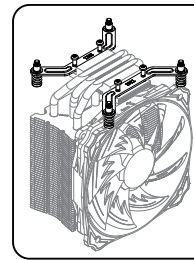
#### STEP 5



Finish the installation by connecting the fan cable to the motherboard.

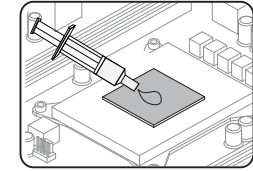
### Intel LGA2011

#### STEP 1



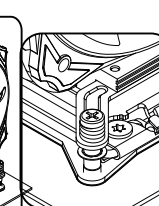
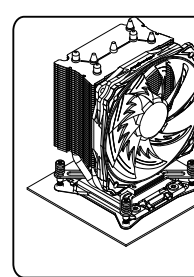
Attach the LGA2011 clips to the heatsink base using the screws.

#### STEP 2



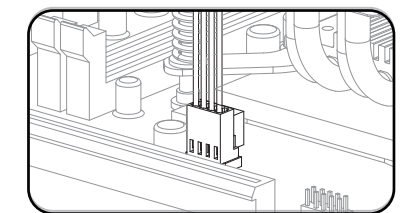
Evenly apply a thin layer of thermal grease onto the processor.

#### STEP 3



Put the heatsink onto the processor, and align the screws with the mounting holes of the motherboard, then secure the heatsink by fastening the screws.

#### STEP 4



Finish the installation by connecting the fan cable to the motherboard.